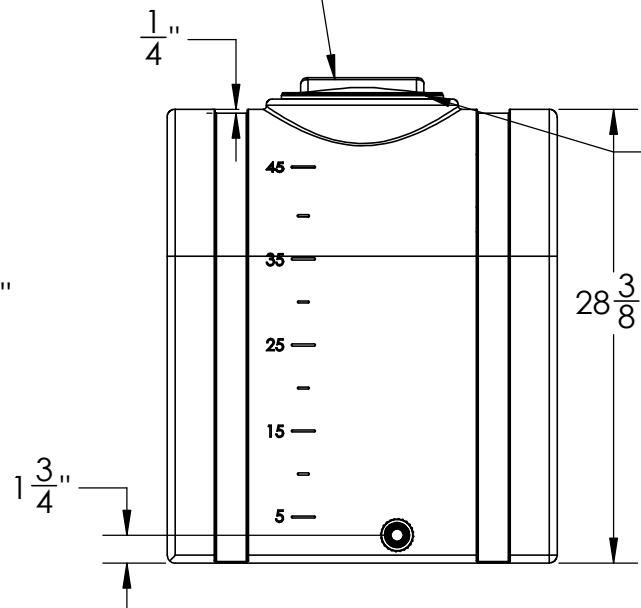
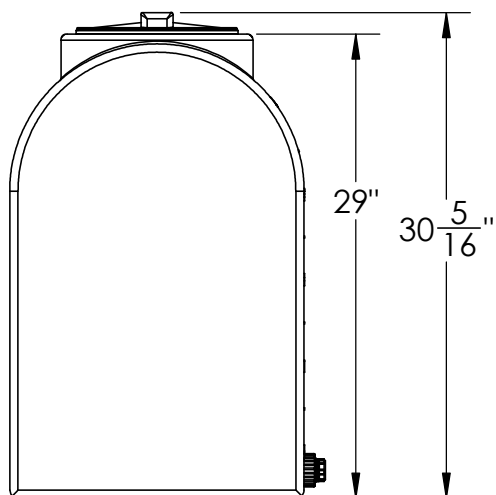
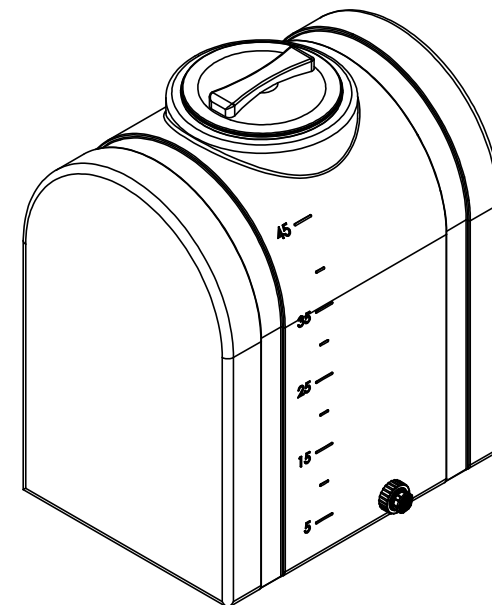


3/4" PP Bulkhead Tank Fitting #970233

8" Closed Non-Vented Lid #970325



8" Lid Ring with Gasket #970326

45 Gal Loaf Tank w/ Side Fitting & Gasketed Ring & Lid



1390 Neubrecht Road
Lima, Ohio 45801

STOCK NO. 23633, 23635

REV A

DO NOT SCALE DRAWING

WEIGHT: 22 lbs.

PROPRIETARY AND CONFIDENTIAL

THE INFORMATION CONTAINED IN THIS DRAWING IS THE SOLE PROPERTY OF TAMCO. ANY REPRODUCTION IN PART OR AS A WHOLE WITHOUT THE WRITTEN PERMISSION OF TAMCO IS PROHIBITED.

MAX. OPERATING TEMP. 140°F
INTERMITTENT SERVICE TO 160°F
SEE CHEMICAL RESISTANCE CHART FOR COMPATIBILITY

DIMENSIONS ARE IN INCHES TOLERANCE: ± 1/4"		NAME	DATE
MATERIAL	LLDPE - FDA resin	DRAWN	NJV 4/23/24
CAPACITY	45 Gallon	APPROVED	
GRADUATIONS	5 Gallon	REVISIONS	
NOMINAL WALL THICKNESS	3/16"	COMMENTS:	UV Stabilized Natural, Black